



## 0.56" Dual Digit Numeric Single Color LED Display

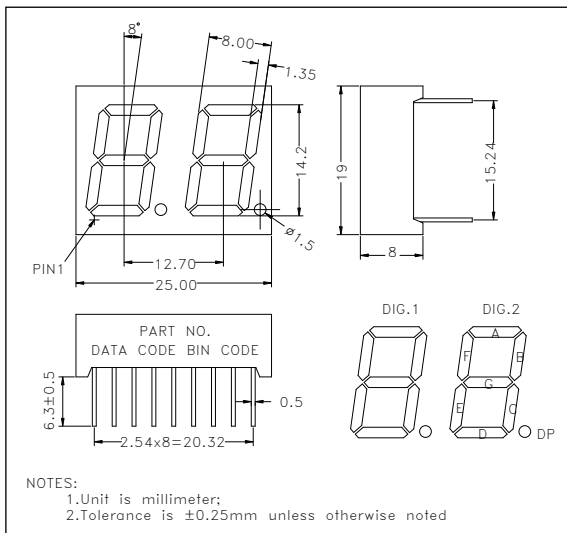


0.56" (14.20mm) digit height

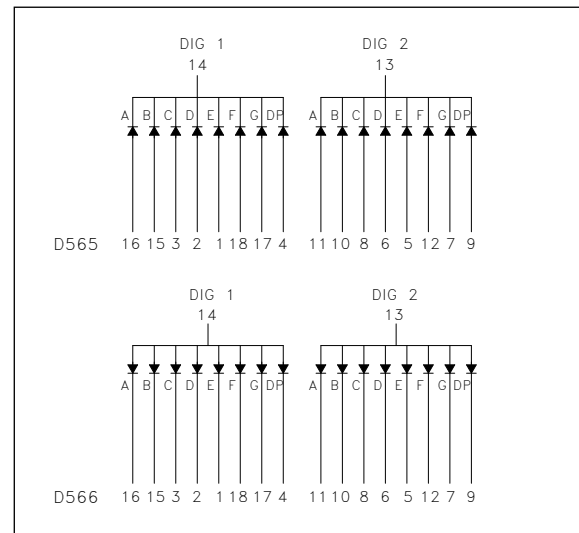
● ABSOLUTE MAXIMUM RATINGS : (Ta=25°C)

| PARAMETER   | RED ORANGE      | GREEN | YELLOW | SR RED | SUPER RED | SUPER GREEN | SUPER YELLOW | UNIT |
|---|-----------------|-------|--------|--------|-----------|-------------|--------------|------|
| Power Dissipation Per Seg   | 65              | 65    | 55     | 72     | 65        | 65          | 55           | mW   |
| Peak Forward Current Per Seg<br>(1/10 Duty Cycle, 0.1ms Pulse Width)    | 100             | 100   | 80     | 125    | 100       | 100         | 100          | mA   |
| Continuous Forward Current Per Seg<br>Derating Linear From 25°C Per Seg | 25              | 25    | 20     | 30     | 25        | 25          | 25           | mA   |
| Reverse Voltage Per Seg   | 5               | 5     | 5      | 5      | 5         | 5           | 5            | v    |
| Operating Tem Range   | -35°C to + 85°C |       |        |        |           |             |              |      |
| Storage Tem Range   | -35°C to + 85°C |       |        |        |           |             |              |      |
| Solder Tem 1/16 inch Below Seating Plane at 260°C for 3 seconds         |                 |       |        |        |           |             |              |      |

### ● PACKAGE DIMENSIONS



### ● INTERNAL CIRCUIT DIAGRAM



### ● ELECTRICAL/OPTICAL CHARACTERISTICS

| PART NO.  | COLOR        | $\lambda_p/\lambda_d$<br>(nm) | Half-Spectral Width( $\Delta\lambda$ ) | Description | AVERAGE LUMINOUS INTENSITY |           |          | FORWARD VOLTAGE |          |
|-----------|--------------|-------------------------------|--|-------------|----------------------------|-----------|----------|-----------------|----------|
|           |              |                               |  |             | Min.(mcd)                  | Typ.(mcd) | @ IF(mA) | Typ.(V)         | @ IF(mA) |
| D5660E... | RED ORANGE   | 632/622                       | 35                                     | CA          | 1.2                        | 3.0       | 10       | 2.0             | 20       |
| D5650E... |              |                               |  | CC          |                            |           |          |                 |          |
| D5660G... | GREEN        | 568/570                       | 30                                     | CA          | 1.6                        | 4.0       | 10       | 2.1             | 20       |
| D5650G... |              |                               |  | CC          |                            |           |          |                 |          |
| D5660Y... | YELLOW       | 589/590                       | 35                                     | CA          | 1.2                        | 3.0       | 10       | 2.1             | 20       |
| D5650Y... |              |                               |  | CC          |                            |           |          |                 |          |
| D5660S... | SR RED       | 660/643                       | 20                                     | CA          | 2.0                        | 4.5       | 10       | 1.8             | 20       |
| D5650S... |              |                               |  | CC          |                            |           |          |                 |          |
| D5669Q... | SUPER RED    | 656/640                       | 20                                     | CA          | 2.5                        | 5.5       | 10       | 2.1             | 20       |
| D5659Q... |              |                               |  | CC          |                            |           |          |                 |          |
| D5660T... | SUPER GREEN  | 573/571                       | 15                                     | CA          | 4.5                        | 11.0      | 10       | 2.1             | 20       |
| D5650T... |              |                               |  | CC          |                            |           |          |                 |          |
| D5669C... | SUPER YELLOW | 591/589                       | 15                                     | CA          | 4.5                        | 11.0      | 10       | 2.1             | 20       |
| D5659C... |              |                               |  | CC          |                            |           |          |                 |          |

Notes : The component is available in :

- Low Current
- InGaN/Sapphire blue & blue green & white light



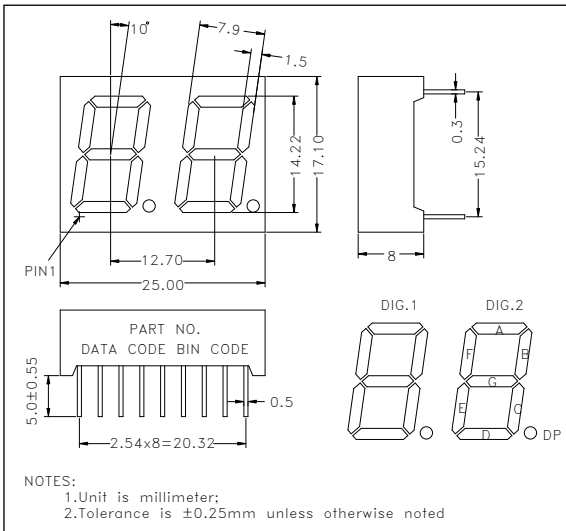
## 0.56" Dual Digit Numeric Single Color LED Display

0.56" (14.22mm) digit height

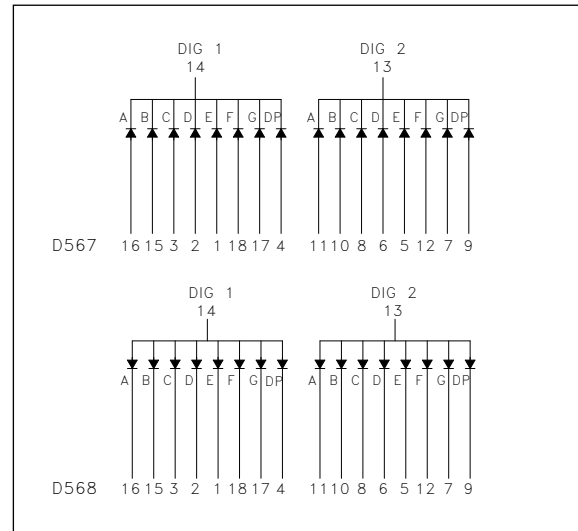
● ABSOLUTE MAXIMUM RATINGS : (T<sub>a</sub>=25°C)

| PARAMETER   | RED ORANGE      | GREEN | YELLOW | SR RED | SUPER RED | SUPER GREEN | SUPER YELLOW | UNIT |
|---|-----------------|-------|--------|--------|-----------|-------------|--------------|------|
| Power Dissipation Per Seg   | 65              | 65    | 55     | 72     | 65        | 65          | 55           | mW   |
| Peak Forward Current Per Seg<br>(1/10 Duty Cycle, 0.1ms Pulse Width)    | 100             | 100   | 80     | 125    | 100       | 100         | 100          | mA   |
| Continuous Forward Current Per Seg<br>Derating Linear From 25°C Per Seg | 25              | 25    | 20     | 30     | 25        | 25          | 25           | mA   |
| Reverse Voltage Per Seg   | 5               | 5     | 5      | 5      | 5         | 5           | 5            | v    |
| Operating Tem Range   | -35°C to + 85°C |       |        |        |           |             |              |      |
| Storage Tem Range   | -35°C to + 85°C |       |        |        |           |             |              |      |
| Solder Tem 1/16 inch Below Seating Plane at 260°C for 3 seconds         |                 |       |        |        |           |             |              |      |

### ● PACKAGE DIMENSIONS



### ● INTERNAL CIRCUIT DIAGRAM



### ● ELECTRICAL/OPTICAL CHARACTERISTICS

| PART NO.  | COLOR        | $\lambda_p/\lambda_d$<br>(nm) | Half-Spectral Width( $\Delta\lambda$ ) | Description | AVERAGE LUMINOUS INTENSITY |           |          | FORWARD VOLTAGE |          |
|-----------|--------------|-------------------------------|--|-------------|----------------------------|-----------|----------|-----------------|----------|
|           |              |                               |  |             | Min.(mcd)                  | Typ.(mcd) | @ IF(mA) | Typ.(V)         | @ IF(mA) |
| D5680E... | RED ORANGE   | 632/622                       | 35                                     | CA          | 1.2                        | 3.0       | 10       | 2.0             | 20       |
| D5670E... |              |                               |  | CC          |                            |           |          |                 |          |
| D5680G... | GREEN        | 568/570                       | 30                                     | CA          | 1.6                        | 4.0       | 10       | 2.1             | 20       |
| D5670G... |              |                               |  | CC          |                            |           |          |                 |          |
| D5680Y... | YELLOW       | 589/590                       | 35                                     | CA          | 1.2                        | 3.0       | 10       | 2.1             | 20       |
| D5670Y... |              |                               |  | CC          |                            |           |          |                 |          |
| D5680S... | SR RED       | 660/643                       | 20                                     | CA          | 2.0                        | 4.5       | 10       | 1.8             | 20       |
| D5670S... |              |                               |  | CC          |                            |           |          |                 |          |
| D5689Q... | SUPER RED    | 656/640                       | 20                                     | CA          | 2.5                        | 5.5       | 10       | 2.1             | 20       |
| D5679Q... |              |                               |  | CC          |                            |           |          |                 |          |
| D5680T... | SUPER GREEN  | 573/571                       | 15                                     | CA          | 4.5                        | 11.0      | 10       | 2.1             | 20       |
| D5670T... |              |                               |  | CC          |                            |           |          |                 |          |
| D5689C... | SUPER YELLOW | 591/589                       | 15                                     | CA          | 4.5                        | 11.0      | 10       | 2.1             | 20       |
| D5679C... |              |                               |  | CC          |                            |           |          |                 |          |

Notes : The component is available in :

- Low Current
- InGaN/Sapphire blue & blue green & white light

## 0.56" Dual Digit Numeric Single Color LED Display

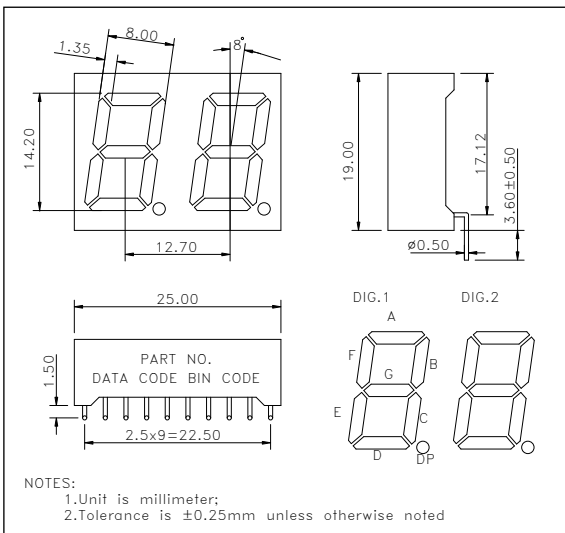


**0.56" (14.20mm) digit height**

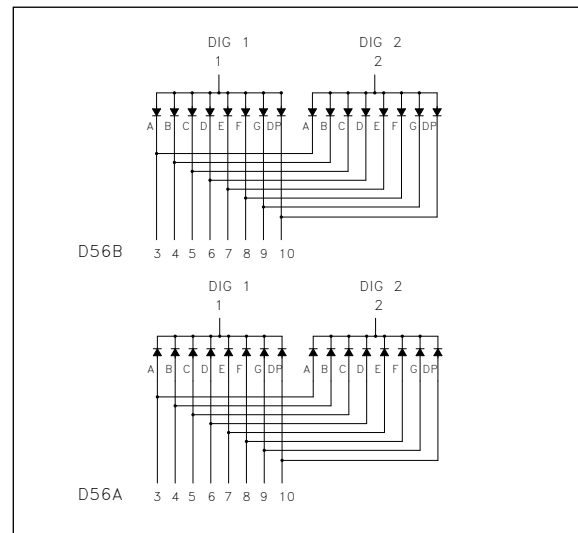
**• ABSOLUTE MAXIMUM RATINGS : (Ta=25°C)**

| PARAMETER   | RED ORANGE      | GREEN | YELLOW | SR RED | SUPER RED | SUPER GREEN | SUPER YELLOW | UNIT |
|---|-----------------|-------|--------|--------|-----------|-------------|--------------|------|
| Power Dissipation Per Seg   | 65              | 65    | 55     | 72     | 65        | 65          | 55           | mW   |
| Peak Forward Current Per Seg<br>(1/10 Duty Cycle, 0.1ms Pulse Width)    | 100             | 100   | 80     | 125    | 100       | 100         | 100          | mA   |
| Continuous Forward Current Per Seg<br>Derating Linear From 25°C Per Seg | 25              | 25    | 20     | 30     | 25        | 25          | 25           | mA   |
| Reverse Voltage Per Seg   | 5               | 5     | 5      | 5      | 5         | 5           | 5            | v    |
| Operating Tem Range   | -35°C to + 85°C |       |        |        |           |             |              |      |
| Storage Tem Range   | -35°C to + 85°C |       |        |        |           |             |              |      |
| Solder Tem 1/16 inch Below Seating Plane at 260°C for 3 seconds         |                 |       |        |        |           |             |              |      |

### • PACKAGE DIMENSIONS



### • INTERNAL CIRCUIT DIAGRAM



### • ELECTRICAL/OPTICAL CHARACTERISTICS

| PART NO.  | COLOR        | $\lambda_p/\lambda_d$ (nm) | Half-Spectral Width( $\Delta\lambda$ ) | Description | AVERAGE LUMINOUS INTENSITY |           |          | FORWARD VOLTAGE |          |
|-----------|--------------|----------------------------|--|-------------|----------------------------|-----------|----------|-----------------|----------|
|           |              |                            |  |             | Min.(mcd)                  | Typ.(mcd) | @ IF(mA) | Typ.(V)         | @ IF(mA) |
| D56B0E... | RED ORANGE   | 632/622                    | 35                                     | CA          | 1.2                        | 3.0       | 10       | 2.0             | 20       |
| D56A0E... |              |                            |  | CC          |                            |           |          |                 |          |
| D56B0G... | GREEN        | 568/570                    | 30                                     | CA          | 1.6                        | 4.0       | 10       | 2.1             | 20       |
| D56A0G... |              |                            |  | CC          |                            |           |          |                 |          |
| D56B0Y... | YELLOW       | 589/590                    | 35                                     | CA          | 1.2                        | 3.0       | 10       | 2.1             | 20       |
| D56A0Y... |              |                            |  | CC          |                            |           |          |                 |          |
| D56B0S... | SR RED       | 660/643                    | 20                                     | CA          | 2.0                        | 4.5       | 10       | 1.8             | 20       |
| D56A0S... |              |                            |  | CC          |                            |           |          |                 |          |
| D56B9Q... | SUPER RED    | 656/640                    | 20                                     | CA          | 2.5                        | 5.5       | 10       | 2.1             | 20       |
| D56A9Q... |              |                            |  | CC          |                            |           |          |                 |          |
| D56B0T... | SUPER GREEN  | 573/571                    | 15                                     | CA          | 4.5                        | 11.0      | 10       | 2.1             | 20       |
| D56A0T... |              |                            |  | CC          |                            |           |          |                 |          |
| D56B9C... | SUPER YELLOW | 591/589                    | 15                                     | CA          | 4.5                        | 11.0      | 10       | 2.1             | 20       |
| D56A9C... |              |                            |  | CC          |                            |           |          |                 |          |

**Notes : The component is available in :**

- Low Current
- InGaN/Sapphire blue & blue green & white light

