

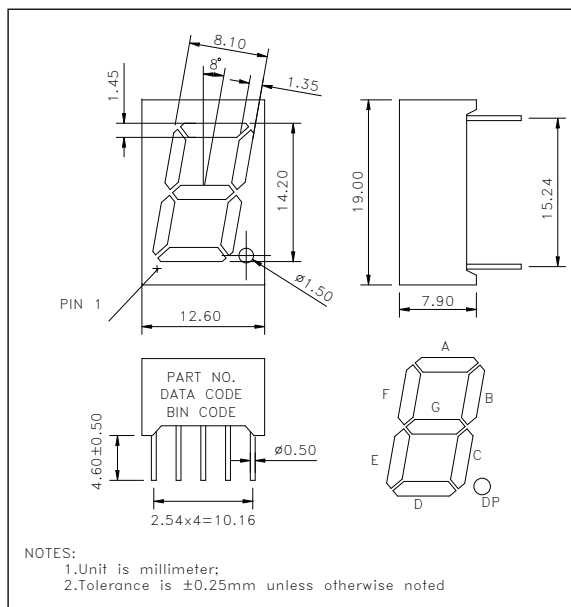
## 0.56" Single Digit Numeric Dual Color LED Display



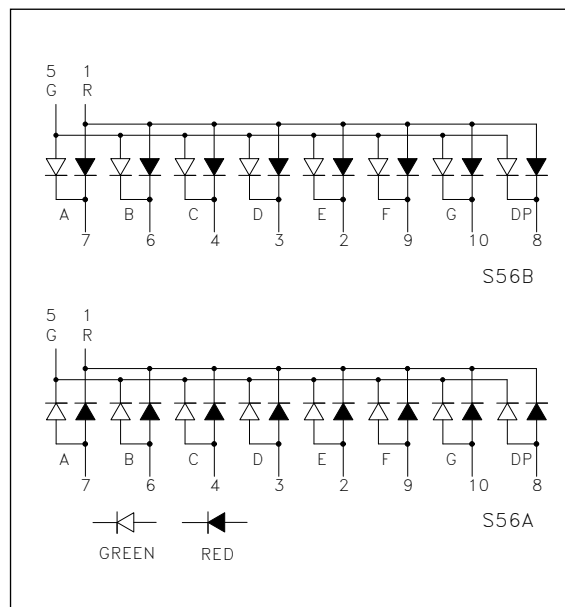
**0.56" (14.20mm) digit height**  
**• ABSOLUTE MAXIMUM RATINGS : (Ta=25°C)**

| PARAMETER   | RED ORANGE      | GREEN | YELLOW | SR RED | SUPER RED | SUPER GREEN | SUPER YELLOW | UNIT |
|---|-----------------|-------|--------|--------|-----------|-------------|--------------|------|
| Power Dissipation Per Seg   | 65              | 65    | 55     | 72     | 65        | 65          | 55           | mW   |
| Peak Forward Current Per Seg<br>(1/10 Duty Cycle, 0.1ms Pulse Width)    | 100             | 100   | 80     | 125    | 100       | 100         | 100          | mA   |
| Continuous Forward Current Per Seg<br>Derating Linear From 25°C Per Seg | 25              | 25    | 20     | 30     | 25        | 25          | 25           | mA   |
| Reverse Voltage Per Seg   | 5               | 5     | 5      | 5      | 5         | 5           | 5            | v    |
| Operating Tem Range   | -35°C to + 85°C |       |        |        |           |             |              |      |
| Storage Tem Range   | -35°C to + 85°C |       |        |        |           |             |              |      |
| Solder Tem 1/16 inch Below Seating Plane at 260°C for 3 seconds         |                 |       |        |        |           |             |              |      |

### • PACKAGE DIMENSIONS



### • INTERNAL CIRCUIT DIAGRAM



### • ELECTRICAL/OPTICAL CHARACTERISTICS

| PART NO.   | COLOR       | $\lambda_p/\lambda_d$<br>(nm) | Half-Spectral<br>Width( $\Delta\lambda$ ) | Description | AVERAGE LUMINOUS INTENSITY |           |          | FORWARD VOLTAGE |          |
|------------|-------------|-------------------------------|---|-------------|----------------------------|-----------|----------|-----------------|----------|
|            |             |                               |   |             | Min.(mcd)                  | Typ.(mcd) | @ IF(mA) | Typ.(V)         | @ IF(mA) |
| S56B0EG... | RED ORANGE  | 632/622                       | 35  | CA          | 1.2                        | 3.0       | 10       | 2.0             | 20       |
|            | GREEN       | 568/570                       | 30  |             | 1.2                        | 3.0       | 10       | 2.1             | 20       |
| S56B9QT... | SUPER RED   | 656/640                       | 20  | CA          | 2.5                        | 5.5       | 10       | 2.1             | 20       |
|            | SUPER GREEN | 573/571                       | 15  |             | 4.0                        | 10.0      | 10       | 2.1             | 20       |
| S56B0SU... | SH RED      | 660/643                       | 20  | CA          | 2.0                        | 4.5       | 10       | 2.1             | 20       |
|            | GREEN       | 573/571                       | 15  |             | 2.0                        | 4.5       | 10       | 2.1             | 20       |

Notes : These components are also available in :

- Low Current
- InGaN high intensity blue, blue-green, green, white are available