

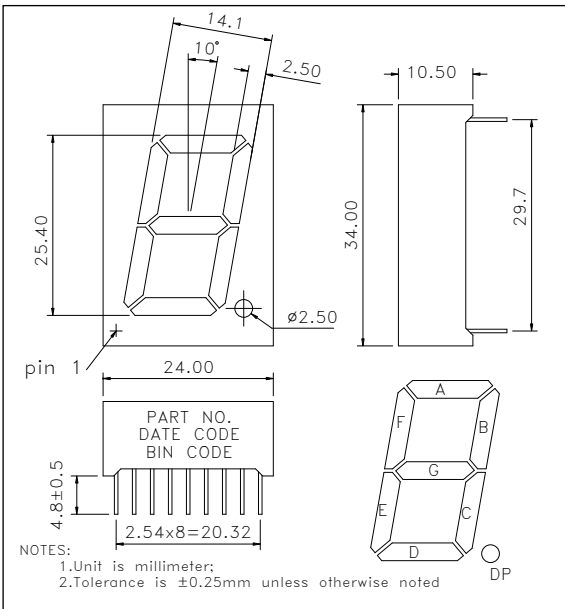
1.0" Single Digit Numeric Dual Color LED Display



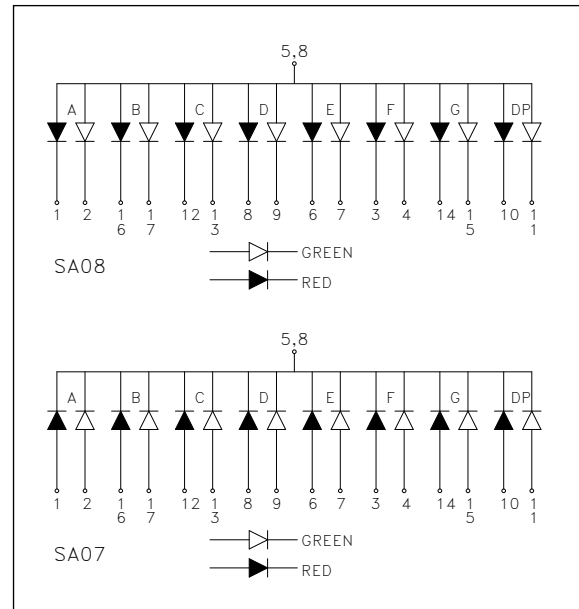
1.0" (25.4mm) digit height
 • ABSOLUTE MAXIMUM RATINGS : (Ta=25°C)

PARAMETER	SR RED	RED ORANGE	GREEN	UNIT
Power Dissipation Per Seg	72	65	65	mW
Peak Forward Current Per Seg (1/10 Duty Cycle, 0.1ms Pulse Width)	125	100	100	mA
Continuous Forward Current Per Seg	30	25	25	mA
Derating Linear From 25°C Per Seg	0.42	0.33	0.33	mA/°C
Reverse Voltage Per Seg	5	5	5	v
Operating Tem Range	-35°C to + 85°C			
Storage Tem Range	-35°C to + 85°C			
Solder Tem 1/16 inch Below Seating Plane at 260°C for 3 seconds				

• PACKAGE DIMENSIONS



• INTERNAL CIRCUIT DIAGRAM



• ELECTRICAL/OPTICAL CHARACTERISTICS

PART NO.	COLOR	λ_p/λ_d (nm)	Half-Spectral Width($\Delta\lambda$)	Description	AVERAGE LUMINOUS INTENSITY			FORWARD VOLTAGE	
					Min.(mcd)	Typ.(mcd)	@ IF(mA)	Typ.(V)	@ IF(mA)
SA080EG...	RED ORANGE	632/622	35	CA	2.4	6.0	10	4	20
	GREEN	568/570	30		2.4	6.0	10	4.2	20
SA080SU...	SR RED	660/643	20	CA	3.6	9.0	10	1.8	20
	GREEN	568/570	30		2.4	6.0	10	4.2	20

Notes : These components are also available in :

- Low Current
- InGaN high intensity blue, blue-green, green, white are available