



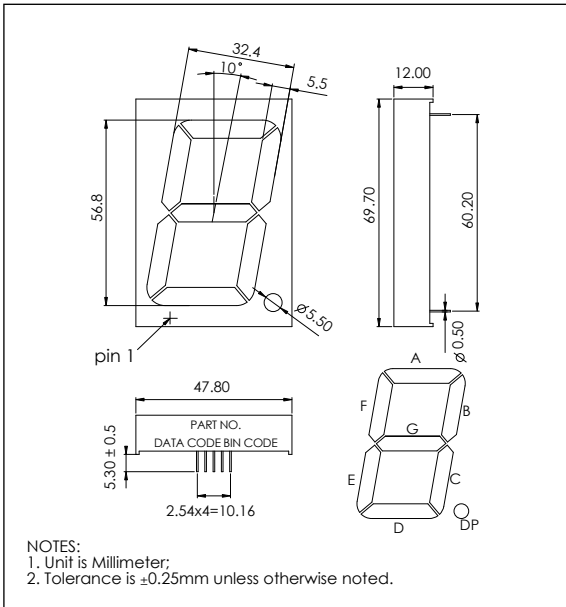
2.3" Single Digit Numeric Dual Color LED Display

2.3" (56.8mm) digit height

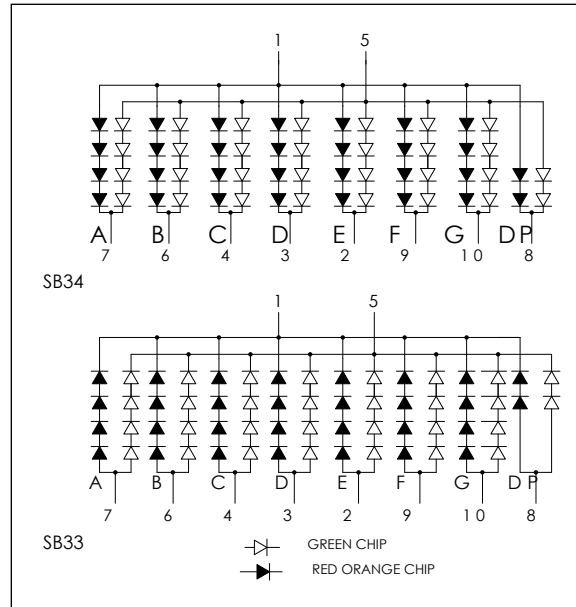
● ABSOLUTE MAXIMUM RATINGS : (Ta=25°C)

PARAMETER	SR RED	RED ORANGE	GREEN	UNIT
Power Dissipation Per Seg	72	65	65	mW
Peak Forward Current Per Seg (1/10 Duty Cycle, 0.1ms Pulse Width)	125	100	100	mA
Continuous Forward Current Per Seg	30	25	25	mA
Derating Linear From 25°C Per Seg	0.42	0.33	0.33	mA/°C
Reverse Voltage Per Seg	5	5	5	v
Operating Tem Range	-35°C to + 85°C			
Storage Tem Range	-35°C to + 85°C			
Solder Tem 1/16 inch Below Seating Plane at 260°C for 3 seconds				

● PACKAGE DIMENSIONS



● INTERNAL CIRCUIT DIAGRAM



● ELECTRICAL/OPTICAL CHARACTERISTICS

PART NO.	COLOR	λ_p/λ_d (nm)	Half-Spectral Width($\Delta\lambda$)	Description	AVERAGE LUMINOUS INTENSITY			FORWARD VOLTAGE	
					Min(mcd)	Typ.(mcd)	@ IF(mA)	Typ.(V)	@ IF(mA)
SB340EG...	RED ORANGE	632/622	35	CA	5	12.0	10	8	20
	GREEN	568/570	30		5.0	12.0	10	8.4	20
SB340SU...	SR RED	660/643	20	CA	9.0	22.0	10	7.2	20
	GREEN	568/570	30		5.0	12.0	10	8.4	20

Notes : These components are also available in :

- Low Current
- InGaN high intensity blue, blue-green, green, white are available

2.3" Single Digit Numeric Dual Color LED Display

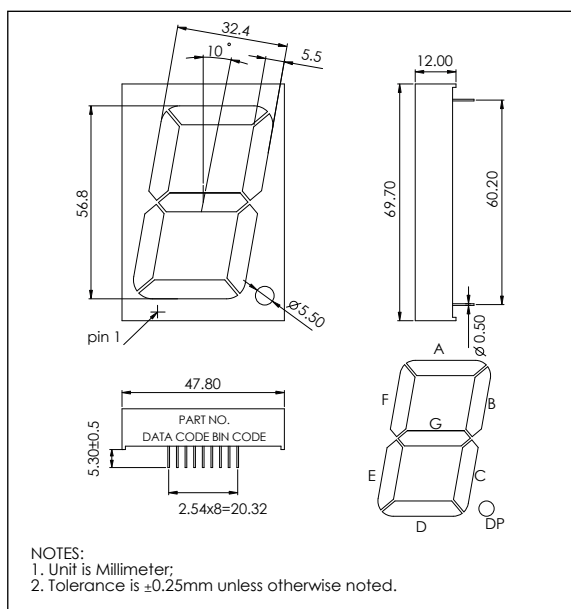


2.3" (56.8mm) digit height

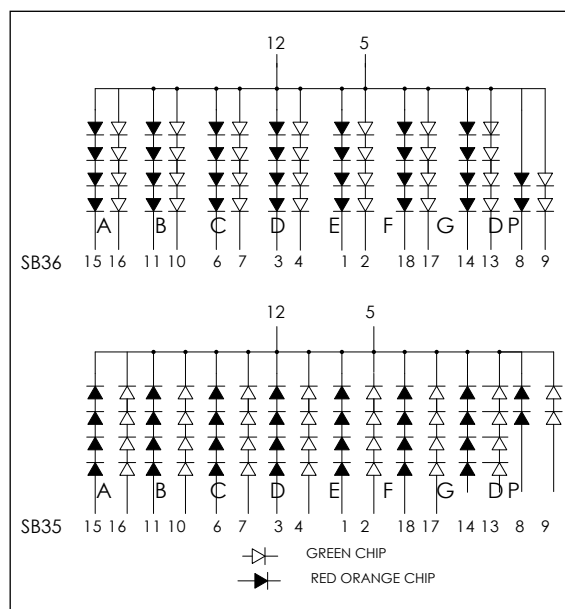
● ABSOLUTE MAXIMUM RATINGS : (Ta=25°C)

PARAMETER	SR RED	RED ORANGE	GREEN	UNIT
Power Dissipation Per Seg	72	65	65	mW
Peak Forward Current Per Seg (1/10 Duty Cycle, 0.1ms Pulse Width)	125	100	100	mA
Continuous Forward Current Per Seg	30	25	25	mA
Derating Linear From 25°C Per Seg	0.42	0.33	0.33	mA/°C
Reverse Voltage Per Seg	5	5	5	v
Operating Tem Range	-35°C to + 85°C			
Storage Tem Range	-35°C to + 85°C			
Solder Tem 1/16 inch Below Seating Plane at 260°C for 3 seconds				

● PACKAGE DIMENSIONS



● INTERNAL CIRCUIT DIAGRAM



● ELECTRICAL/OPTICAL CHARACTERISTICS

PART NO.	COLOR	λ_p/λ_d (nm)	Half-Spectral Width($\Delta\lambda$)	Description	AVERAGE LUMINOUS INTENSITY			FORWARD VOLTAGE	
					Min(mcd)	Typ.(mcd)	@ IF(mA)	Typ.(V)	@ IF(mA)
SB360EG...	RED ORANGE	632/622	35	CA	6	14.0	10	8	20
	GREEN	568/570	30		6.0	14.0	10	8.4	20
SB3600SU...	SR RED	660/643	20	CA	9.0	22.0	10	7.2	20
	GREEN	568/570	30		6.0	14.0	10	8.4	20

Notes : These components are also available in :

- Low Current
- InGaN high intensity blue, blue-green, green, white are available