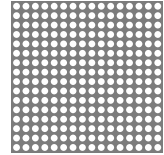


## Ø 1.8 16x16 Dot Matrix Dual Color LED Display

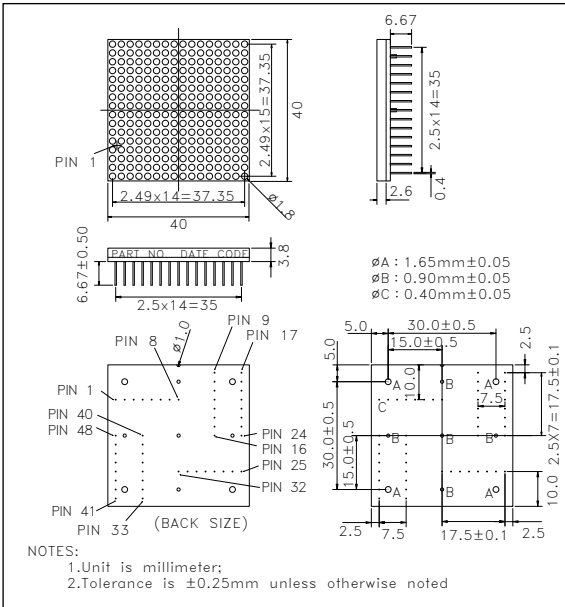


**1.57" (40.10mm) matrix height**

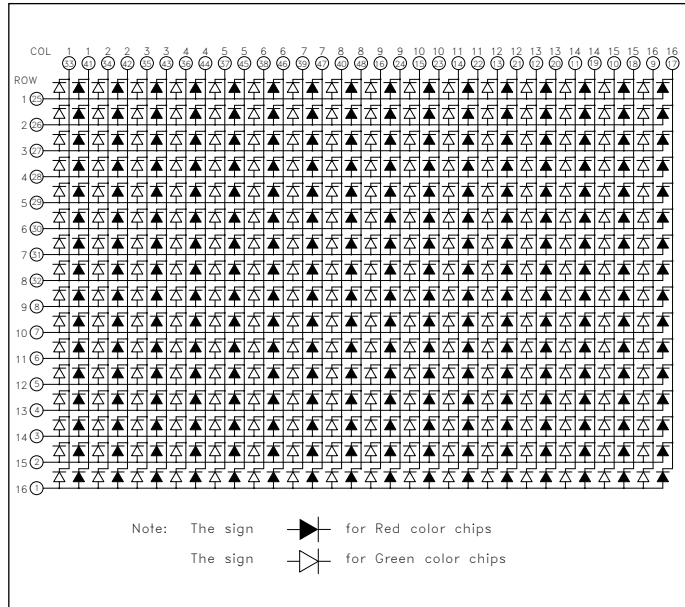
**• ABSOLUTE MAXIMUM RATINGS : (Ta=25°C)**

PARAMETER	GREEN	SR RED	UNIT
Power Dissipation Per Seg	65	72	mW
Peak Forward Current Per Seg (1/10 Duty Cycle, 0.1ms Pulse Width)	100	125	mA
Continuous Forward Current Per Seg	25	30	mA
Derating Linear From 25°C Per Seg	0.33	0.42	mA/°C
Reverse Voltage Per Seg	5	5	v
Operating Tem Range	-35°C to + 85°C		
Storage Tem Range	-35°C to + 85°C		
Solder Tem 1/16 inch Below Seating Plane at 260°C for 3 seconds			

### • PACKAGE DIMENSIONS



### • INTERNAL CIRCUIT DIAGRAM



### • ELECTRICAL/OPTICAL CHARACTERISTICS

PART NO.	COLOR	$\lambda_p / \lambda_d$ (nm)	Half-Spectral Width( $\Delta\lambda$ )	Description	AVERAGE LUMINOUS INTENSITY			FORWARD VOLTAGE	
					Min(mcd)	Typ.(mcd)	@ IF(mA)	Typ.(V)	@ IF(mA)
M151FFOSUTW	GREEN	568/570	30	CC	0.8	1.8	I <sub>p</sub> =80mA 1/16 Duty	2.1	20
	SR RED	660/643	20		0.9	2.2		1.8	20

**Notes : These components are also available in :**

- Low Current
- AllnGaP high intensity red,orange,yellow green,amber