



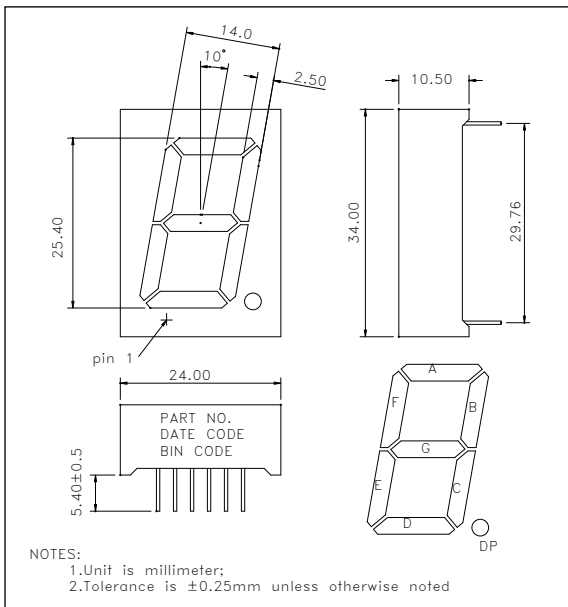
1.0" Single Digit Numeric Full Color LED Display

1.0" (25.4mm) digit height

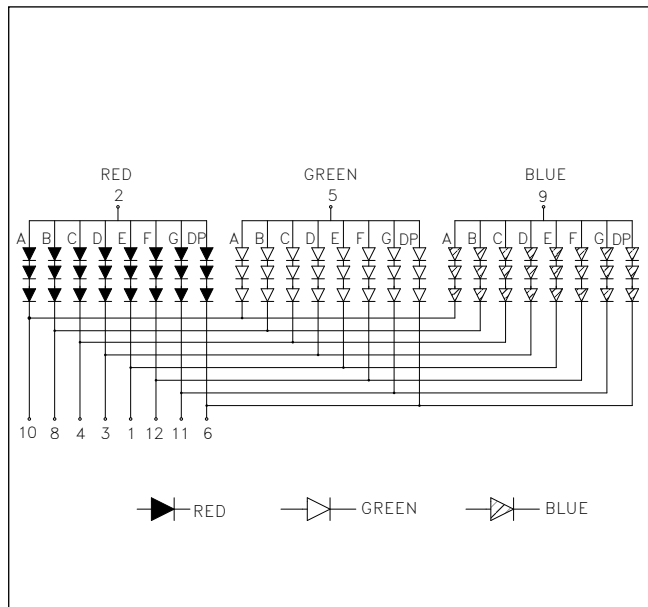
● ABSOLUTE MAXIMUM RATINGS : (Ta=25°C)

PARAMETER	RED	BLUE	GREEN	UNIT
Power Dissipation Per Seg	36	60	60	mW
Peak Forward Current Per Seg (1/10 Duty Cycle, 0.1ms Pulse Width)	100	120	120	mA
Continuous Forward Current Per Seg	25	33	30	mA
Derating Linear From 25°C Per Seg	0.33	0.42	0.42	mA/°C
Reverse Voltage Per Seg	5	5	5	v
Electrostatic Discharge(Note1)		150	150	v
Operating Tem Range	-35°C to + 85°C			
Storage Tem Range	-35°C to + 85°C			
Solder Tem 1/16 inch Below Seating Plane at 260°C for 3 seconds				

● PACKAGE DIMENSIONS



● INTERNAL CIRCUIT DIAGRAM



● ELECTRICAL/OPTICAL CHARACTERISTICS

PART NO.	COLOR	λ_p/λ_d (nm)	Half-Spectral Width($\Delta\lambda$)	Description	AVERAGE LUMINOUS INTENSITY			FORWARD VOLTAGE	
					Min.(mcd)	Typ.(mcd)	@ IF(mA)	Typ.(V)	@ IF(mA)
SA0DFC3...	SUPER RED	632/624	15	CA	12.0	30.0	10	2.1	20
	SUPER GREEN	*/525	25		20	50	10	3.5	20
	BLUE	*/470	26		12	30	10	3.5	20

Note. 1: HBM, Human Body Model; Seller gives no other assurances regarding the ability of products to withstand ESD.

Caution in ESD: Static Electricity and surge damages the LED. It is recommend to us a wrist band or antielectrostatic glove when handing the LED. All devices equipment and machinery must be properly grounded.