

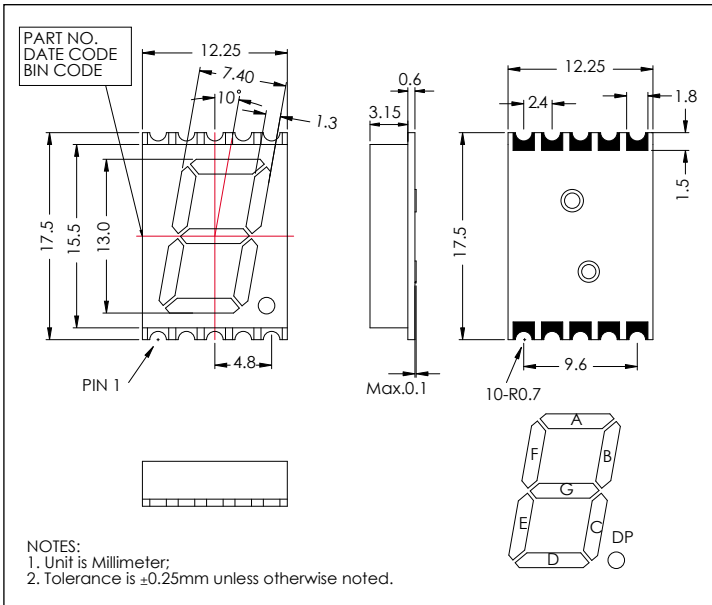
0.51" Single-Digit Surface Mount LED Display

0.51" (13.0mm) digit height

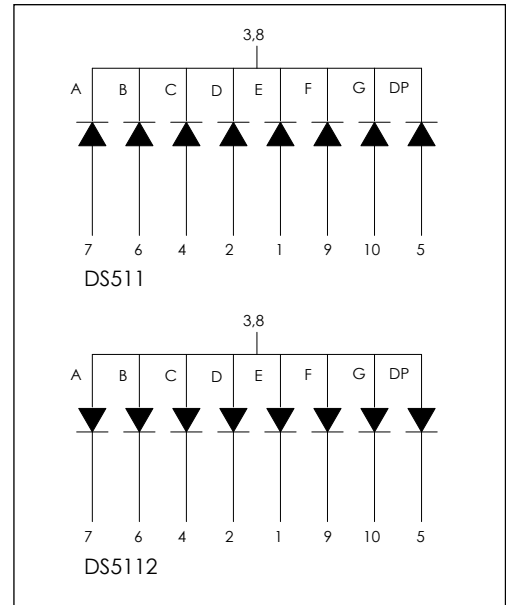
● **ABSOLUTE MAXIMUM RATINGS : (Ta=25°C)**

PARAMETER	WHITE	BLUE	SUPER AMBER	SUPER RED	SUPER GREEN	SUPER YELLOW	UNIT
Power Dissipation Per Seg	100	100	65	65	65	55	mW
Peak Forward Current Per Seg (1/10 Duty Cycle, 0.1ms Pulse Width)	100	100	100	100	100	100	mA
Continuous Forward Current Per Seg	25	25	25	25	25	25	mA
Derating Linear From 25°C Per Seg	0.33	0.33	0.33	0.33	0.33	0.33	mA/°C
Reverse Voltage Per Seg	5	5	5	5	5	5	v
Operating Tem Range	-40°C to + 105°C						
Storage Tem Range	-40°C to + 105°C						
Solder Tem 1/16 inch Below Seating Plane at 260°C for 3 seconds							

● PACKAGE DIMENSIONS



● INTERNAL CIRCUIT DIAGRAM



● ELECTRICAL/OPTICAL CHARACTERISTICS

PART NO.	COLOR	λ_p/λ_d (nm)	Half-Spectral Width($\Delta\lambda$)	Description	AVERAGE LUMINOUS INTENSITY			FORWARD VOLTAGE	
					Min.(mcd)	Typ.(mcd)	@ IF(mA)	Typ.(V)	@ IF(mA)
DS5123BW...	WHITE	X ; Y (0.29 ; 0.30)	---	CA	8.6	14.0	10	3.5	20
DS5113BW...				CC					
DS5120B...	BLUE	470/470	26	CA	5.4	11.0	10	3.5	20
DS5110B...				CC					
DS5129V...	SUPER AMBER	611/605	17	CA	8.6	18.0	10	2.1	20
DS5119V...				CC					
DS5129Q2...	SUPER RED	632/624	20	CA	8.6	16.0	10	2.1	20
DS5119Q2...				CC					
DS5129T...	SUPER GREEN	573/571	15	CA	5.4	9.0	10	2.1	20
DS5119T...				CC					
DS5129C...	YELLOW	591/589	15	CA	8.6	18.0	10	2.1	20
DS5119C...				CC					

Notes : The component is available in :

● Low Current