

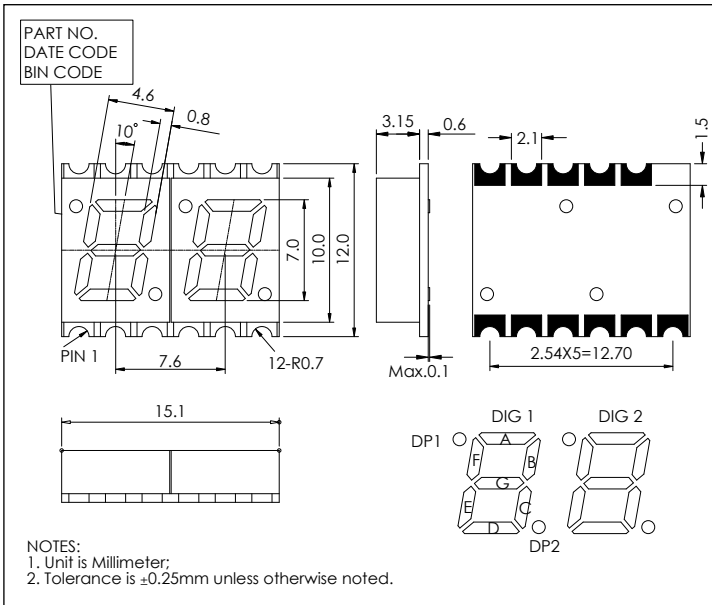
0.28" Dual-Digit Surface Mount LED Display

0.28" (7.0mm) digit height

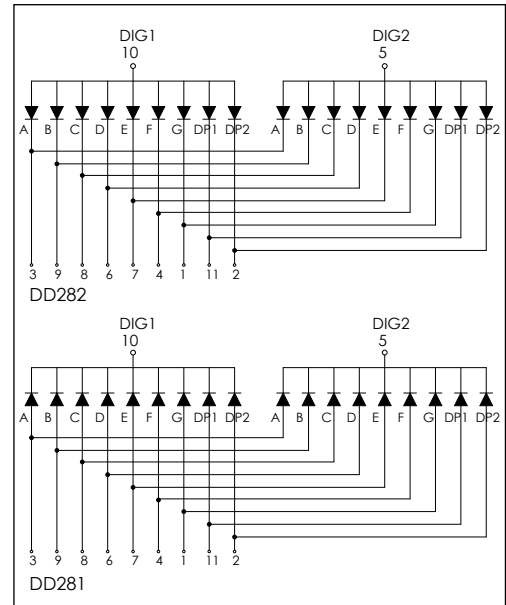
● ABSOLUTE MAXIMUM RATINGS : (Ta=25°C)

PARAMETER	BLUE	SUPER AMBER	SUPER RED	SUPER GREEN	SUPER YELLOW	UNIT
Power Dissipation Per Seg	100	65	65	65	55	mW
Peak Forward Current Per Seg (1/10 Duty Cycle, 0.1ms Pulse Width)	100	100	100	100	100	mA
Continuous Forward Current Per Seg	25	25	25	25	25	mA
Derating Linear From 25°C Per Seg	0.33	0.33	0.33	0.33	0.33	mA/°C
Reverse Voltage Per Seg	5	5	5	5	5	v
Operating Tem Range	-40°C to + 105°C					
Storage Tem Range	-40°C to + 105°C					
Solder Tem 1/16 inch Below Seating Plane at 260°C for 3 seconds						

● PACKAGE DIMENSIONS



● INTERNAL CIRCUIT DIAGRAM



● ELECTRICAL/OPTICAL CHARACTERISTICS

PART NO.	COLOR	λ_p/λ_d (nm)	Half-Spectral Width($\Delta\lambda$)	Description	AVERAGE LUMINOUS INTENSITY			FORWARD VOLTAGE	
					Min.(mcd)	Typ.(mcd)	@ IF(mA)	Typ.(V)	@ IF(mA)
DD2820B...	BLUE	470/470	26	CA	3.4	6.0	10	3.5	20
DD2810B...				CC					
DD2829V...	SUPER AMBER	611/605	17	CA	3.4	8.0	10	2.1	20
DD2819V...				CC					
DD2829Q2...	SUPER RED	632/624	20	CA	3.4	7.0	10	2.1	20
DD2819Q2...				CC					
DD2829T...	SUPER GREEN	573/571	15	CA	3.4	6.0	10	2.1	20
DD2819T...				CC					
DD2829C...	SUPER YELLOW	591/589	15	CA	3.4	8.0	10	2.1	20
DD2819C...				CC					

Notes : The component is available in :

● Low Current