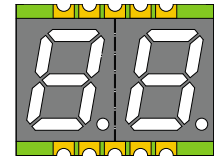


0.39" Dual-Digit Surface Mount LED Display

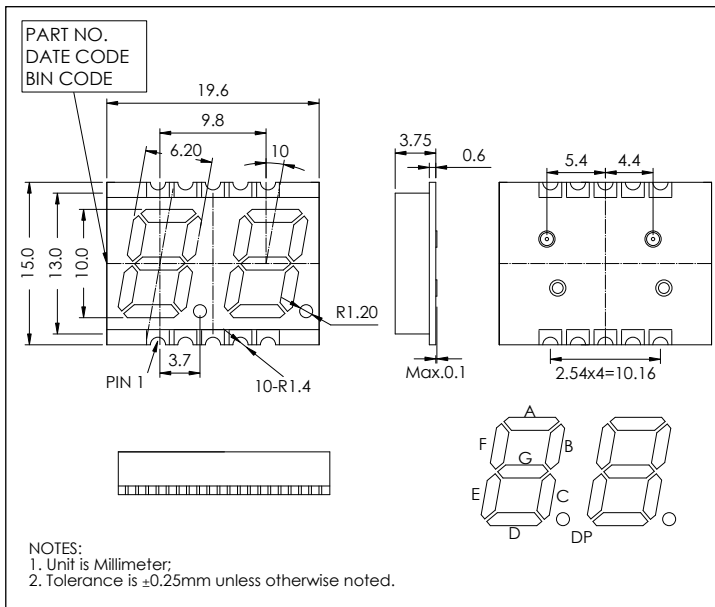


0.39" (10.0mm) digit height

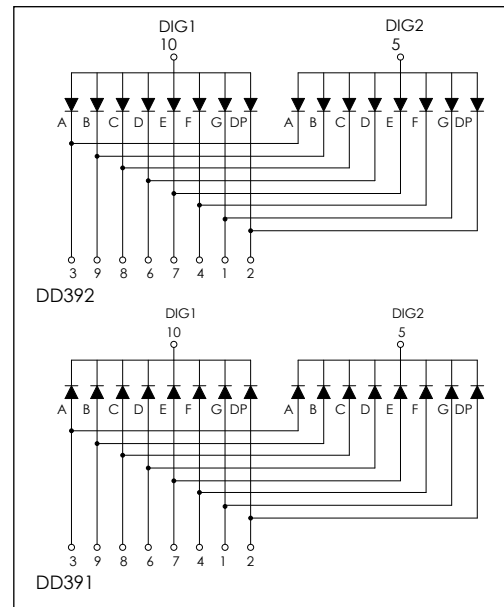
● ABSOLUTE MAXIMUM RATINGS : (Ta=25°C)

PARAMETER	WHITE	BLUE	SUPER AMBER	SUPER RED	SUPER GREEN	SUPER YELLOW	UNIT
Power Dissipation Per Seg	100	100	65	65	65	55	mW
Peak Forward Current Per Seg (1/10 Duty Cycle, 0.1ms Pulse Width)	100	100	100	100	100	100	mA
Continuous Forward Current Per Seg Derating Linear From 25°C Per Seg	25	25	25	25	25	25	mA
Reverse Voltage Per Seg	5	5	5	5	5	5	v
Operating Tem Range	-40°C to + 105°C						
Storage Tem Range	-40°C to + 105°C						
Solder Tem 1/16 inch Below Seating Plane at 260°C for 3 seconds							

● PACKAGE DIMENSIONS



● INTERNAL CIRCUIT DIAGRAM



● ELECTRICAL/OPTICAL CHARACTERISTICS

PART NO.	COLOR	λ_p/λ_d (nm)	Half-Spectral Width($\Delta\lambda$)	Description	AVERAGE LUMINOUS INTENSITY			FORWARD VOLTAGE	
					Min.(mcd)	Typ.(mcd)	@ IF(mA)	Typ.(V)	@ IF(mA)
DD3923BW...	WHITE	X ; Y (0.29 ; 0.30)	---	CA	5.4	12.0	10	3.5	20
DD3913BW...				CC					
DD3920B...	BLUE	470/470	26	CA	5.4	11.0	10	3.5	20
DD3910B...				CC					
DD3929V...	SUPER AMBER	611/605	17	CA	8.6	16.0	10	2.1	20
DD3919V...				CC					
DD3929Q2...	SUPER RED	632/624	20	CA	8.6	14.0	10	2.1	20
DD3919Q2...				CC					
DD3929T...	SUPER GREEN	573/571	15	CA	5.4	9.0	10	2.1	20
DD3919T...				CC					
DD3929C...	YELLOW	591/589	15	CA	8.6	15.0	10	2.1	20
DD3919C...				CC					

Notes : The component is available in :

- Low Current