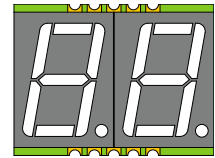


0.56" Dual-Digit Surface Mount LED Display

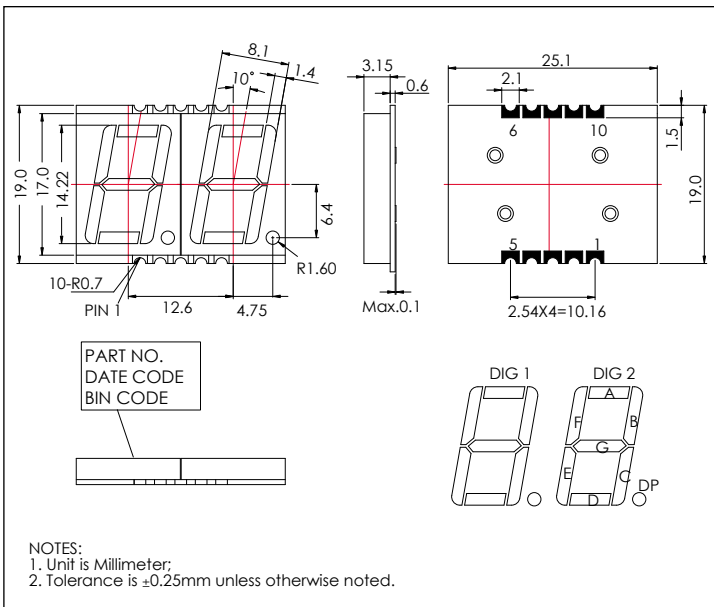


0.56" (14.22mm) digit height

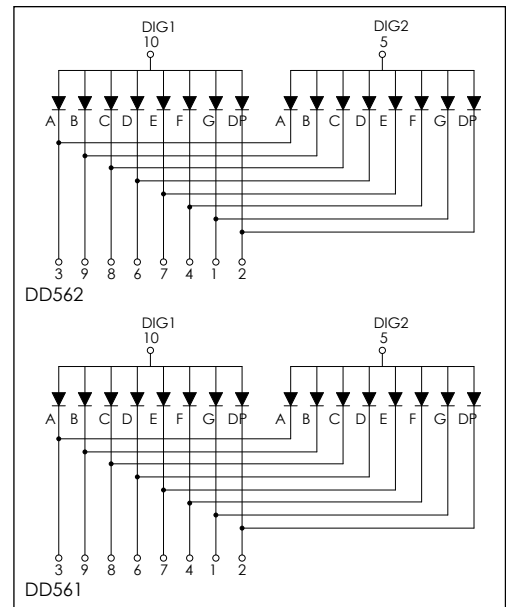
● ABSOLUTE MAXIMUM RATINGS : (Ta=25°C)

PARAMETER	WHITE	BLUE	SUPER AMBER	SUPER RED	SUPER GREEN	SUPER YELLOW	UNIT
Power Dissipation Per Seg	100	100	65	65	65	55	mW
Peak Forward Current Per Seg (1/10 Duty Cycle, 0.1ms Pulse Width)	100	100	100	100	100	100	mA
Continuous Forward Current Per Seg	25	25	25	25	25	25	mA
Derating Linear From 25°C Per Seg	0.33	0.33	0.33	0.33	0.33	0.33	mA/°C
Reverse Voltage Per Seg	5	5	5	5	5	5	v
Operating Tem Range	-40°C to + 105°C						
Storage Tem Range	-40°C to + 105°C						
Solder Tem 1/16 inch Below Seating Plane at 260°C for 3 seconds							

● PACKAGE DIMENSIONS



● INTERNAL CIRCUIT DIAGRAM



● ELECTRICAL/OPTICAL CHARACTERISTICS

PART NO.	COLOR	λ_p/λ_d (nm)	Half-Spectral Width($\Delta\lambda$)	Description	AVERAGE LUMINOUS INTENSITY			FORWARD VOLTAGE	
					Min.(mcd)	Typ.(mcd)	@ IF(mA)	Typ.(V)	@ IF(mA)
DD5623BW...	WHITE	X ; Y (0.29 ; 0.30)	---	CA	8.6	16.0	10	3.5	20
DD5613BW...				CC					
DD5620B...	BLUE	470/470	26	CA	5.4	13.0	10	3.5	20
DD5610B...				CC					
DD5629V...	SUPER AMBER	611/605	17	CA	8.6	18.0	10	2.1	20
DD5619V...				CC					
DD5629Q2...	SUPER RED	632/624	20	CA	8.6	16.0	10	2.1	20
DD5619Q2...				CC					
DD5629T...	SUPER GREEN	573/571	15	CA	5.4	10.0	10	2.1	20
DD5619T...				CC					
DD5629C...	YELLOW	591/589	15	CA	8.6	18.0	10	2.1	20
DD5619C...				CC					

Notes : The component is available in :

- Low Current